

Engineering Design Firm
User's Manual
Cases for Travel

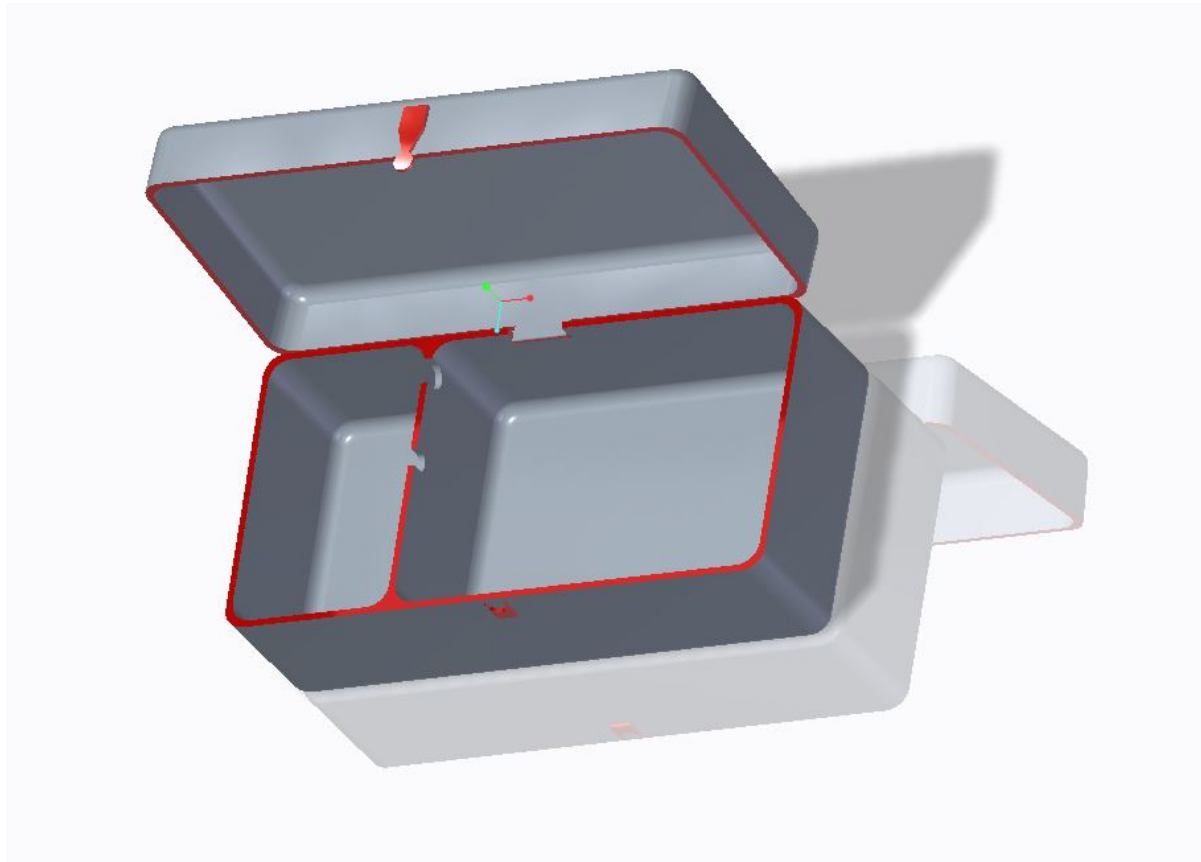


Table of Contents

Product Information.....	3
Product Safety.....	3
Assembly.....	3
Product Use.....	4
Maintenance.....	4
Product Pictures.....	5
Customer Service.....	6

Product Information

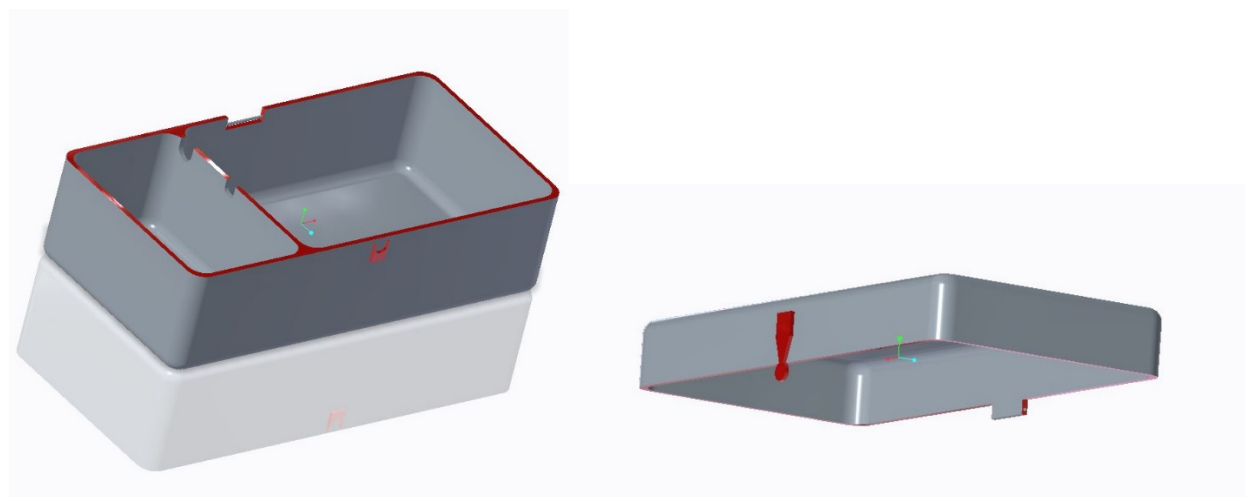
This new travel case is perfect for frequent travelers with a low price of \$6.00. Its see through exterior makes it an easy case to go through airport security. The size makes this case easy to pack with a smooth exterior. The dimensions are 8in long 4in wide and 3in thick. The hinge is inside the box allowing the box to slide smoothly into your pocket, bag, suitcase, etc. The latch on the front of the box slide over a small bump, allowing it to lock in place. This case allows you to organize your personal products and carry them in a convenient way. The case is made from a polypropylene material which is a lightweight medium, yet very durable. Thus, allowing it to last for many years.

Product Safety

This product is made out of plastic and has no sharp edges. There are three pieces that make up this product the pin is attached to the lid which allows the product to come apart in two pieces. Two large halves make it safe for children to be around due to there being no small pieces that could be swallowed. The clasp on the front of the case can possibly pinch skin if shut on yourself. This product is not a toy and should not be thrown around.

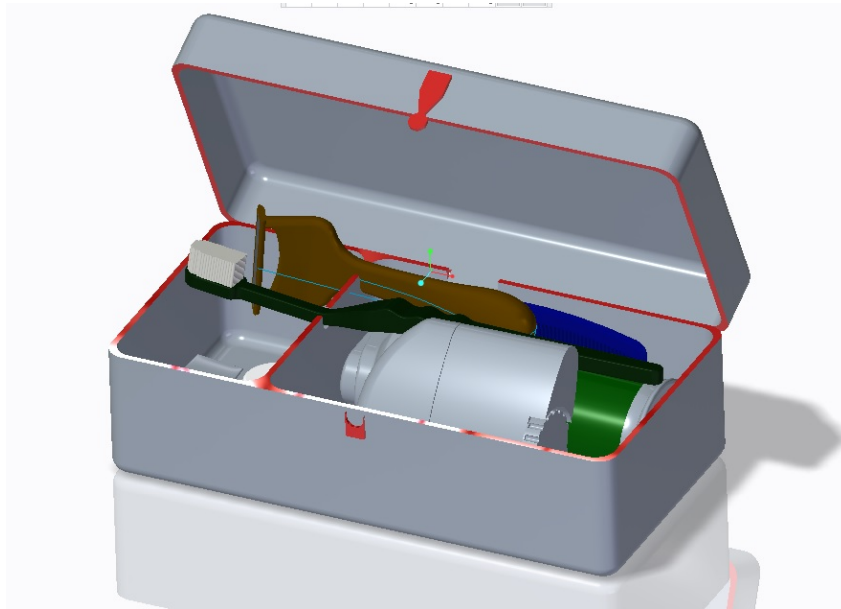
Assembly

This product is an easy assembly with a total of three pieces. There is a top half and a bottom half. Place the bottom half on a flat surface and then locate the top half with the pin. Place the top half in in its designated position and the attached pin in its spot to allow the top half to serve as a lid for the toiletry case.



Product Use

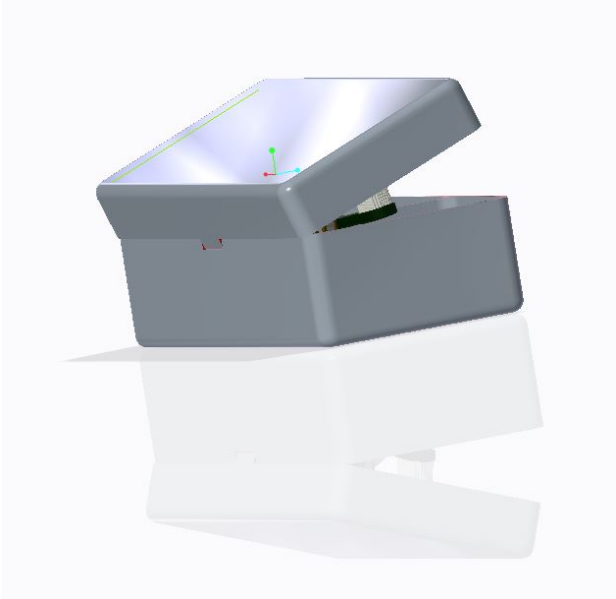
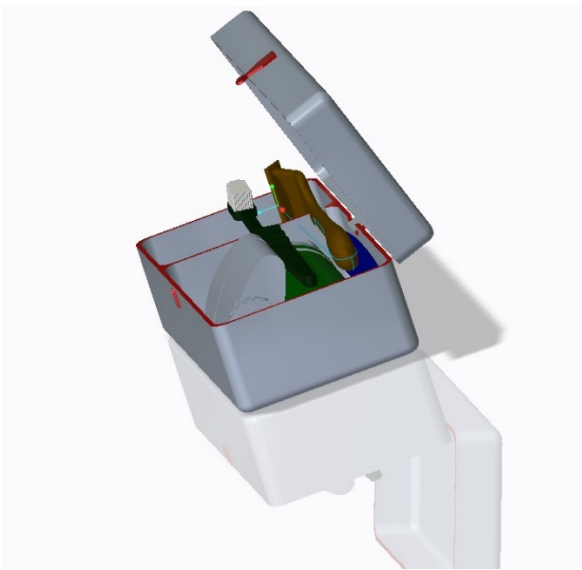
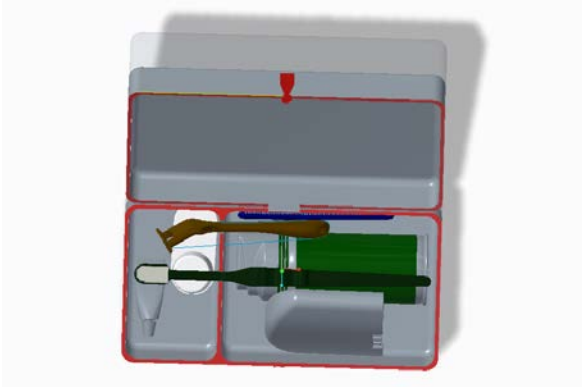
This toiletry case is meant for all bulky items to be put in the case such as shaving cream, deodorant, toothpaste, comb, contact case, and other various bathroom items. The toothbrush and razor are placed in the cut out parts of the toiletry case. This unconventional design not allows for organization throughout the case, but it also helps to keep items from rolling around in the case during transit, as well as keep the inside of the case in such a way that the contents are easily visible. Having a place to put the razor where it cannot move freely throughout the case also helps to prevent injury in the circumstance that one has their hand in the case looking for the razor or something. This way no one will cut their fingers.



Maintenance

This case is top shelf dishwasher safe. This case should be cleaned before and after each use to maintain a sanitary case for your personal belongings. Placing wet items in the case repeatedly without proper cleanings between each use may allow the opportunity for mold to grow. The surface is easy to clean and the transparent material and limited nooks and crannies make the case ideal for one's toiletries. After all, one wants the place where they keep such items as their tooth brush or razor to be substantially clean.

Product Pictures



Customer Service

Support Center Staff:

Danielle

Dseiden1@uncc.edu

Servet

seroglu1@uncc.edu

Location:

9201 University City Blvd

Charlotte, NC 2822-30001

Customer Service Phone: 1800- UNC-CASE

Email: CaseForTravel.com